

Client _____ Quantity _____
 Project _____ Position _____

Master 600 counter 3 doors

Model: TP17/1MQ-710

Cod: T12301000201

Master 600 refrigerated counter 1 door, counter body height 710 mm, with top. Plug-in refrigeration unit, A energetic class, 5 heavy duty climatic class and R290 ecological refrigerant gas. Temperature range -2°+8°C with ventilated refrigeration. Equipment: 3 325x430 mm plastic coated shelves. Each compartment can be configured with 1/2+1/2, 1/3+2/3, 1/3+1/3+1/3 drawers. Anti-corrosion treated evaporator and hot gas defrosting. 60 mm insulation thickness - HFO with high insulation performance and low environmental impact (CFC, HCFC, HFC free). AISI 304 stainless steel handle and magnetic triple chamber door gasket, easily replaceable. Reversible, self-closing door opening with 105° stop. AISI 304 stainless steel interior/exterior including external back. Rounded inner corners for easy cleaning. The reinforced modular base in colaminated steel allows installation on wheels, feet, mobile or masonry plinths. Replaceable refrigerant system FSS - Fast Service System - for quick and easy service. Prepared for connection to Cosmo - wi-fi remote supervision system - and ModBus/RTU Rs485 connection.



Technical data

| | |
|--------------------------|---------------------------------|
| Top: | With top |
| Gross capacity: | 360 lt |
| Temperature range: | -2°+8°C |
| Refrigerant unit: | Plug-in |
| Energetic class: | A |
| Energy efficiency index: | 22,9 |
| Annual consumption: | 540 kW/h annum |
| 24h consumption: | 1,479 kW/h/24h |
| Climate class: | 5 |
| Cooling gas: | R290 (GWP=3) |
| Refrigerant Charge: | 110g |
| Defrost: | Hot gas |
| Body height: | 710 mm |
| Valve: | Supplied standard with solenoid |
| Dimensions: | 1780×600×850 mm |
| Packing dimensions: | 1875×800×998 mm |
| Voltage: | 220-240 V - 50 Hz |
| Cooling capacity: | 406 W* |
| *: | Evap. -10°C Cond. +55°C |

Features

| | |
|------------------------------|--|
| Standard equipment: | 3 slides, 3 plastic coated 325x430 mm shelves |
| Control: | Electronic, display flush with the panel |
| Doors: | 3 doors, self-closing, reversible with 105° stop |
| Door gasket: | Magnetic, triple chamber and easily replaceable |
| Insulation: | 60 mm thickness - CFC/HCFC free |
| Exterior/interior finishing: | Exterior interior and back in AISI 304 stainless steel. Base in colaminated steel. |
| Inner corners: | Rounded for easy cleaning and ensuring maximum hygiene |
| Handle: | Stainless steel AISI 304, 2 mm thick |
| Racks and slides: | Stainless steel AISI 304 |
| Feets: | AISI 304 stainless steel adjustable h 100/150 mm |
| Cosmo: | Predisposed for Cosmo Hub connection |

In order to constantly offer the best possible products we reserve the right to make changes on technical specifications without incurring any obligation for equipment previously or subsequently sold.

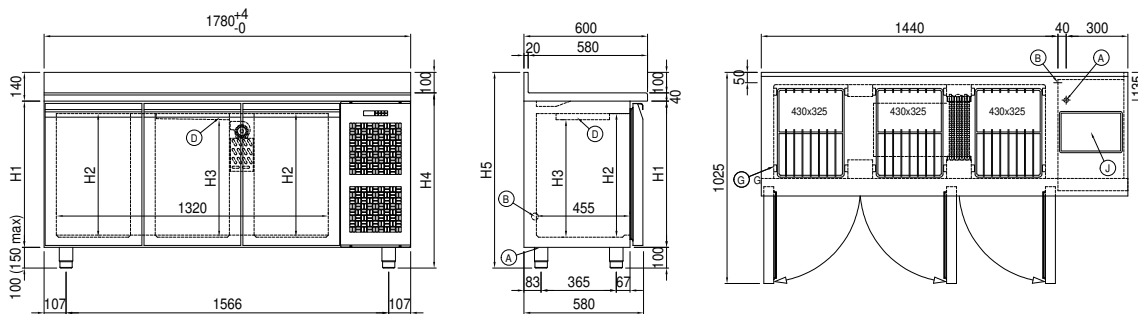
Accessories and variants

| | |
|-------------------------------------|---|
| Drawers 1/2 | Granite flat worktop |
| Drawers 1/3 | Granite worktop with splashback |
| Drawers 1/3 + 2/3 | Service water sink Ø 300 mm |
| Special counter body heights 650 mm | Single lever mixer hole Ø 3/4 |
| Special counter body heights 700 mm | Adjustable feet h 145/195 mm |
| Special counter body heights 750 mm | 4 Swivel and brake castors h 128 mm |
| Technical compartment on the left | Brackets for GN pans for drawer |
| Lock with key for drawer 1/2 | GN1/2 container + lids kit for drawer, h 150 mm |
| Lock with key for drawer 1/3 | GN1/3 container + lids kit for drawer, h 150 mm |
| Lock with key for drawer 1/3 + 2/3 | Plastic coated shelf 325x430 |
| Glass door | Pair of type C slides 405 mm |
| LED lighting | Serial interface, RS485 cable |
| RAL customisable colouring | IP44 schuko socket with cover |
| Plug-in water unit | Cosmo cable connection kit |
| Alimentazione frequenza 60Hz | Cosmo wifi connection kit |
| Other special voltage | Removable plinth CQ 3D h 100 mm |
| Internal hygiene H3 | Removable plinth CQ 3D h 150 mm |

COSMO - wi-fi control

Cosmo is The Nice Kitchen's exclusive Wi-Fi technology that allows Coldline, Modular and Nevo appliances to be connected and monitored from a smartphone. The counter, connected with Cosmo kit via cable to a Cosmo hub (MODI, VISION, THAW.PRO, LEVTRONIC, QUBI) or with Cosmo Wi-Fi kit, can be monitored by the CosmoApp and receive alerts in case of abnormal operation.

Technical draw



A: Power supply cable outlet

B: Condensation water drain

D: Airflow conveyor

G: Racks pitch

J: Automatic evaporation of condensing water